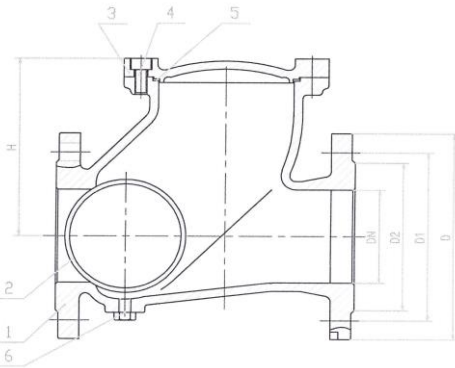




## BALL CHECK VALVE

**2.40**

**PN 10/16  
FLANGED DN 50 - 250  
THREADED 1" - 2"**



### Materials:

Description	Material quality
<b>1. Body</b>	GGG40 epoxy coating
<b>2. Ball</b>	Cast steel + NBR
<b>3. Bonnet</b>	GGG40 epoxy coating
<b>4. Screw</b>	Galvanized carbon steel
<b>5. Gasket</b>	NBR
<b>6. Screw</b>	Galvanized carbon steel

### Application:

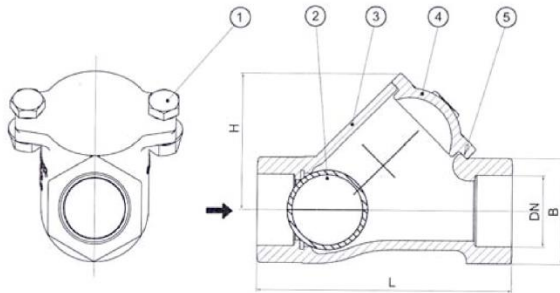
Water, sewage water, viscous fluids and materials neutral to the valve.

Both vertical and horizontal installation is possible.

Nominal pressure: PN 16, DN 200-250 PN 10

Working temperature: (-10°C) - 80°C

Facet to facet size: DIN3202-F6 (EN-558-1/48)



### Materials:

Description	Material quality
<b>1. Screw</b>	SS304 stainless steel
<b>2. Ball</b>	Carbon steel + NBR
<b>3. Body</b>	GGG50 epoxy coating
<b>5. Gasket</b>	GGG50 epoxy coating
<b>6. Bonnet</b>	NBR

DN	L mm	D mm	D1 mm	D2 mm	H mm	Ball weight kg	Ball diameter /mm	Weight kg
50	200	165	125	102	106	0,22	62,5	9
65	240	185	145	122	129	0,4	76,0	13
80	260	200	160	138	146	0,75	96	16
100	300	220	180	158	194	1,68	122	24
125	350	250	210	188	207	3,07	150	38
150	400	285	240	212	240	5,19	180	55
200	500	340	295	268	322	12,99	240	103

DN	L mm	B mm	H mm	Weight kg
1	120	45	64	1.8
1 1/4	135	50	72	2.3
1 1/2	145	60	85	3.1
2	175	70	100	4.6

**M/V-IG**

**Industrial Valve Trading Ltd.**  
H-2234 Maglód, Mendei street 2.  
Phone/Fax: +36-29-325-133, 326-133  
[www.mvv.hu](http://www.mvv.hu) [info@mvv.hu](mailto:info@mvv.hu)

BM-1111  
TELEFON SZÁMAI: 326-133 / 325-133