

CAST IRON SWING CHECK VALVE, FLANGED

1.17

DN 40 - 200
PN 16

Application:

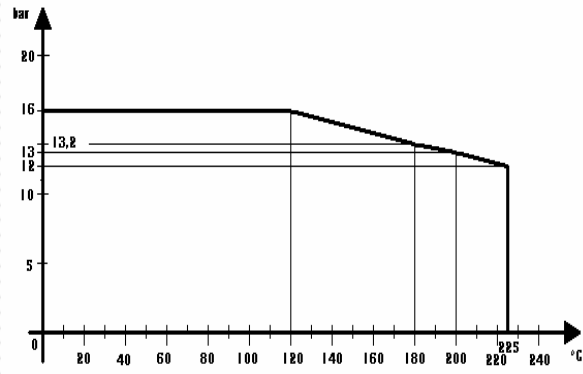
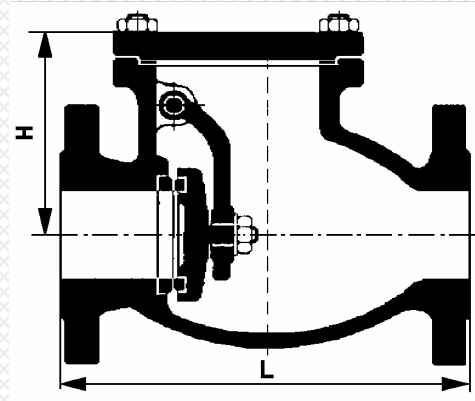
Cold and hot water, steam and mediums neutral to the materials of the valve according to the pressure – temperature chart below.

Working temperature: -10°C – 225°C

Connection flange: DIN 2501

Face to face: DIN 3202 F1

Hydrostatic test: DIN 3230/3



Materials:	
Body	GG – 25
Bonnet	GG – 25
Seat	Bronze
Disc	C 22
Shaft	Stainless steel

DN	40	50	65	80	100	125	150	200
L	180	200	240	260	300	350	400	500
H	120	135	150	170	188	200	220	265
Weight (kg)	12	15	20	28	41	69	72,5	105



Industrial Valve Trading Ltd.

H-2234 Maglód, Ady E. u. 25-39.

Tel./Fax: +36-29-325-133, -326-133

www.mvv.hu info@mvv.hu