



DRVD water pressure reducer valve

12.70

DN 50 - 150
PN 16

Application:

The pressure reducing valve is suitable for reducing or maintaining the output pressure at a given level when built into a pipeline system. The outlet pressure can be controlled with the adjustment screw.

The valve can be used for cold and hot water, air, as well as for fluids that are indifferent to the material of the components.

Main technical parameters:

Maximum input pressure: 16 bar

Output pressure: 1,5 – 6 bar
2 – 8 bar
4 – 12 bar

Output pressure adjustment: Clockwise rotation increases, counter-clockwise rotation decreases the output pressure.

Pressure gauge connection on the valve body:

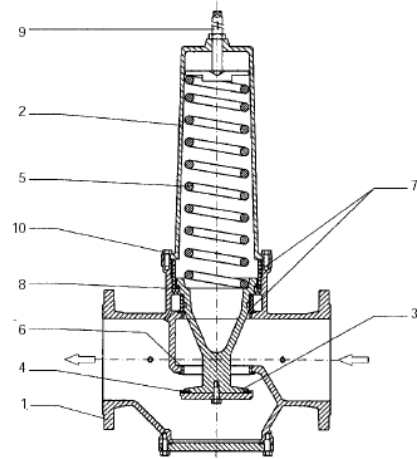
DN 50-65: 1/4"

DN 80-150: 3/8"

Maximum working temperature: 80°C

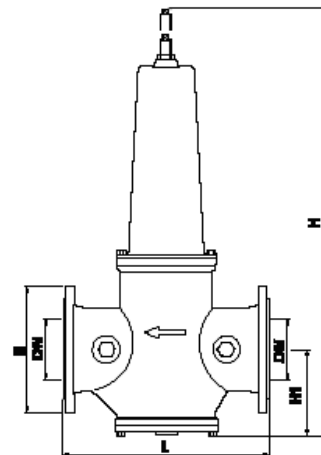
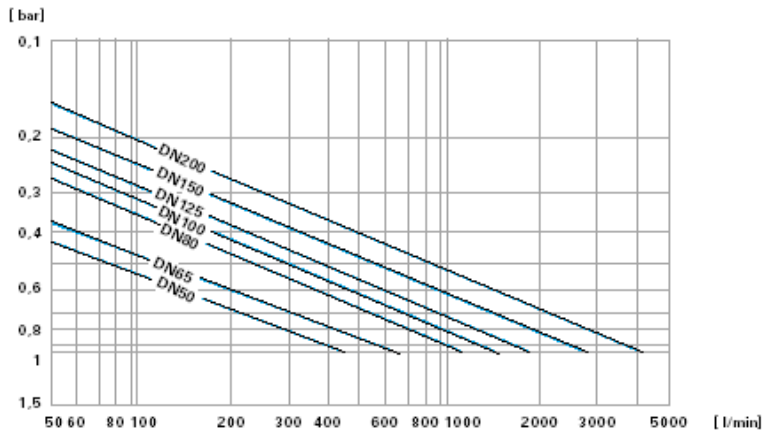
Materials:

Description	Material quality
1. Body	Ductile cast iron
2. Bonnet	Ductile cast iron
3. Piston	DN 50-100 Brass DN 125-150 Galvanized steel
4. Gasket	NBR
5. Spring	Carbon steel
6. Gasket ring	Bronze
7. Guide bush	Bronze
8. Gasket	NBR
9. Adjusting screw	Galvanized steel
10. Screw	Galvanized steel
Surface protection	Epoplast coat, RAL5017



DN	L	H	H1	B	Kg
50	230	383	83	165	15,9
65	290	440	90	185	26
80	310	490	100	200	31,9
100	350	561	121	220	46
125	400	712	152	250	77
150	450	839	169	285	98

Pressure lost/drop chart



Industrial Valve Trading Ltd.

H-2234 Maglód, Mendei street 2.

Phone/Fax: +36-29-325-133, 326-133

www.mvv.hu info@mvv.hu

BM1-MM3
001 KIKÉPZÉSEK ÉS SZAKKÉPZÉSEK