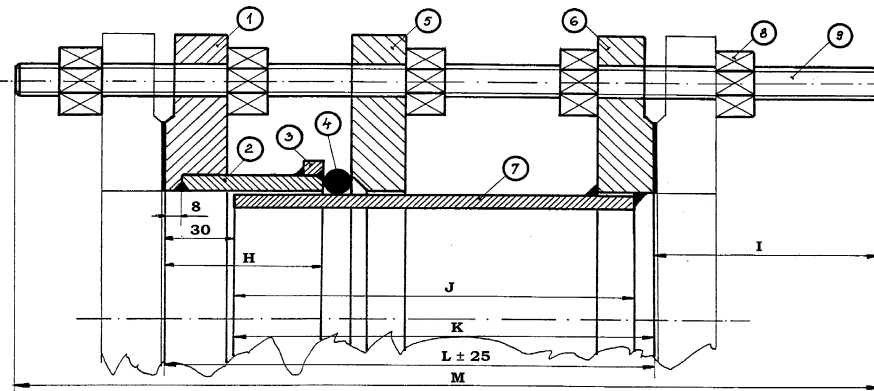




## DISMANTLING PIECE

**12.50**

**PN 10-16  
DN 50 - 1000**



### Application:

For water, potable water, sewage water, oil and other petrochemical fluids neutral to the materials of the valve up to 100 °C working temperature, and working pressure equivalent of nominal pressure. Face to face can be modified up to request. The dismantling pieces can be ordered according to PN 6, PN 16 and PN 40, as well.

### Main materials:

Flange RSt 37,2  
Pipe RSt 37,2  
O-ring Food industry

### Surface protection:

Body Epoplast coating, EP RAL 5010 coat  
Screws and nuts Galvanized

DN	H	J	K	L	Adjustment	I	Weight	M
				Face to face in middle position	+/- mm		kg	
50	80	146	150	180	25	62,5	10,3	280
65	80	146	150	180	25	62,5	13	280
80	97	166	170	200	25	65	16,2	305
100	97	165	170	200	25	65	18,4	305
125	95	164	170	200	25	67	23,5	309
150	87	163	170	200	25	72	31,2	319
200	105	181	190	220	25	74	41,8	343
250	99	181	190	220	25	76	56	347
300	95	180	190	220	25	76	63,4	347
350	99	190	200	230	25	78	86,4	361
400	100	205	215	245	25	84	111,3	388
500	105	220	230	260	25	92	144	419
600	106	235	245	275	25	100	187	450
700	110	250	260	290	25	100	233	480
800	110	268	280	310	25	110	320	505
1000	110	268	280	310	25	120	440	525



**Industrial Valve Trading Ltd.**  
H-2234 Maglód, Mendei street 2.  
Phone/Fax: +36-29-325-133, 326-133  
[www.mvv.hu](http://www.mvv.hu) [info@mvv.hu](mailto:info@mvv.hu)

ИТМТ ИКЦАИВРДВРБЕ 001  
ААТ-ММБ