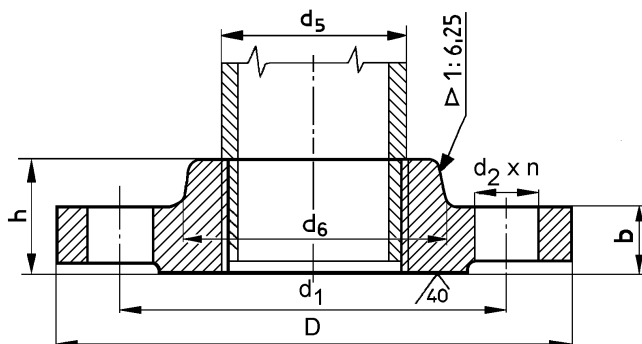




THREADED FLANGES

9.32

DN 10 - 150
PN 25 - 40



M/V-IFG

Application:

Applied as counter flanges to connect pipes and install valves in pipeline systems.

Material quality:

Up to order
(For example: RSt 37.2 clear, galvanized)

DN	d ₅	thread	D	b	h	d ₁	d ₂	n	d ₆	kg
10	17,2	G3/8	90	16	22	60	14	4	30	0,630
15	21,3	G1/2	95	16	22	65	14	4	35	0,710
20	26,9	G3/4	105	18	26	75	14	4	45	1,03
25	33,7	G1	115	18	28	85	14	4	52	1,28
32	42,4	G1 1/4	140	18	30	100	18	4	60	1,87
40	48,3	G1 1/2	150	18	32	110	18	4	70	2,14
50	60,3	G2	165	20	34	125	18	4	85	2,86
65	76,1	G2 1/2	185	22	38	145	18	8	105	3,85
80	88,9	G3	200	24	40	160	18	8	118	4,80
100	114,3	G4	235	24	44	190	22	8	145	6,43
125	139,7	G5	270	26	48	220	26	8	170	8,77
150	165,1	G6	300	28	52	250	26	8	200	10,5

M/V-IFG

Industrial Valve Trading Ltd.
H-2234 Maglód, Mendei street 2.
Phone/Fax: +36-29-325-133, 326-133
www.mvv.hu info@mvv.hu

BM-1111
TITELT KÉSZÍTŐVÁLLALAT 001