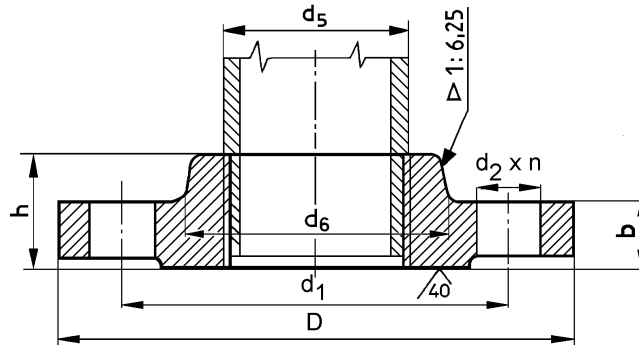




## THREADED FLANGES

**9.30**

DN 10 - 150  
PN 6



### Application:

Applied as counter flanges to connect pipes and install valves in pipeline systems.

### Material quality:

Up to order  
(For example: RSt 37.2 clear, galvanized)

DN	d <sub>5</sub>	thread	D	b	h	d <sub>1</sub>	d <sub>2</sub>	n	d <sub>6</sub>	kg
10	17,2	G3/8	75	12	20	50	11	4	25	0,323
15	21,3	G1/2	80	12	20	55	11	4	30	0,373
20	26,9	G3/4	90	14	24	65	11	4	40	0,590
25	33,7	G1	100	14	24	75	11	4	50	0,743
32	42,4	G1 1/4	120	14	26	90	14	4	60	1,05
40	48,3	G1 1/2	130	14	26	100	14	4	70	1,20
50	60,3	G2	140	14	28	110	14	4	80	1,37
65	76,1	G2 1/2	160	14	32	130	14	4	100	1,92
80	88,9	G3	190	16	34	150	18	4	110	2,85
100	114,3	G4	210	16	38	170	18	4	130	3,19
125	139,7	G5	240	18	40	200	18	8	160	4,47
150	165,1	G6	265	18	44	225	18	8	185	5,30

**M/V-IG**

**Industrial Valve Trading Ltd.**  
H-2234 Maglód, Mendei street 2.  
Phone/Fax: +36-29-325-133, 326-133  
[www.mvv.hu](http://www.mvv.hu) [info@mvv.hu](mailto:info@mvv.hu)

1000 GYŐR, MÁTYÁS UTCA 100  
1113 BUDAPEST, MÁTYÁS UTCA 100