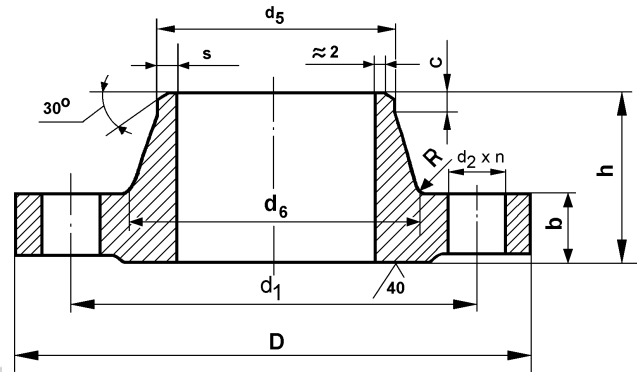




DIN 2632 WELDING-NECK FLANGES

9.11

**DN 200 - 600
PN 10**



Application:

Applied as counter flanges to connect pipes and install valves in pipeline systems.

Material quality:

Up to order
(For example: RSt 37.2, KO 36, KL 7D)

DN	D	b	h	d5	d5	s	d6	d1	d2	n	R	c	kg
200	340	24	62	219,1	219,1	6,5	235	295	22	8	10	16	11,3
250	395	26	68	273	273	7,5	292	350	22	12	12	16	15,0
300	445	26	68	323,9	323,9	8	344	400	22	12	12	16	17,7
350	505	26	68	368	355,6	8	385	460	22	16	12	16	21,5
400	565	26	72	419	406,4	8	440	515	26	16	12	16	26,2
500	670	28	75	521	508	8	540	620	26	20	12	16	35,0
600	780	28	80	610	610	8	642	725	30	20	12	18	42,3

DN 15-150: PN 10=PN 16