



## 2-PIECE FF THREADED STAINLESS STEEL BALL VALVE

**7.53**

DN 1/4" - 2"

### Application:

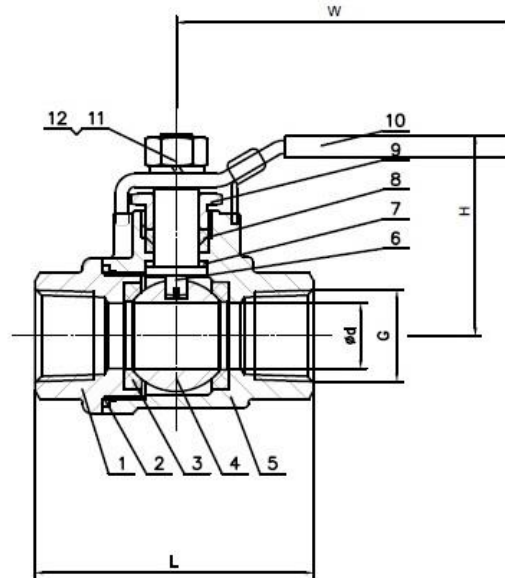
Within the specified pressure and temperature range for hot and cold water, steam, air, oil, petrol, acid and alkali, and mediums neutral to the materials of the valve

**Testing:** DIN 3230/3

**Execution:** BSP (G) thread, full bore, lockable, solid ball

**Max working pressure:**

- 1/4" - 3/4": 63 bar
- 1" - 2": 40 bar



Pressure-temperature chart	
63 (40) bar	-40°C
63 (40) bar	80°C
28 bar	150°C
10 bar	180°C

In case of order, please advise:

- DN nominal diameter
- PN nominal pressure
- working pressure
- working temperature
- application
- special demands

Materials:	
Description	Material quality
<b>1. Bonnet</b>	1.4408 stainless steel
<b>2. Seal ring</b>	PTFE
<b>3. Seat</b>	PTFE
<b>4. Ball</b>	1.4408 stainless steel
<b>5. Body</b>	1.4408 stainless steel
<b>6. Stem</b>	A182 F316 stainless steel
<b>7. Ring</b>	PTFE
<b>8. Stem packing</b>	PTFE
<b>9. Thrust washer</b>	AISI 304 stainless steel
<b>10. Lever</b>	SS 201
<b>11. Washer</b>	AISI 304 stainless steel
<b>12. Bolt</b>	AISI 304 stainless steel

	d	L	H	W	kg	Operating torque
<b>1/4"</b>	10	48	42	95	0,19	3 Nm
<b>3/8"</b>	10	48	42	95	0,19	3 Nm
<b>1/2"</b>	15	58	51	108	0,26	4 Nm
<b>3/4"</b>	20	64	58	115	0,40	5 Nm
<b>1"</b>	25	76	77	135	0,59	7 Nm
<b>5/4"</b>	32	87	83	150	1	9 Nm
<b>6/4"</b>	38	96	97	175	1,32	11 Nm
<b>2"</b>	49	115	106	190	2,46	13 Nm

**M/V-IG**

**Industrial Valve Trading Ltd.**

H-2234 Maglód, Mendei street 2.

Phone/Fax: +36-29-325-133, 326-133

[www.mvv.hu](http://www.mvv.hu) [info@mvv.hu](mailto:info@mvv.hu)

BM1-MM3  
11111 KIKVIA(DCQVAVPAP 001