



WK8A FLANGED BALL VALVE

7.43

Application:

Group 2 of Directive 97/23/EC and up to pressures and temperatures according to the diagram for cold and hot water. For hot water, heating equipment, ventilation and sanitary purposes, as well as for fluids indifferent to the material of the parts.

Temperature range: -20°C / +160°C

Characteristic:

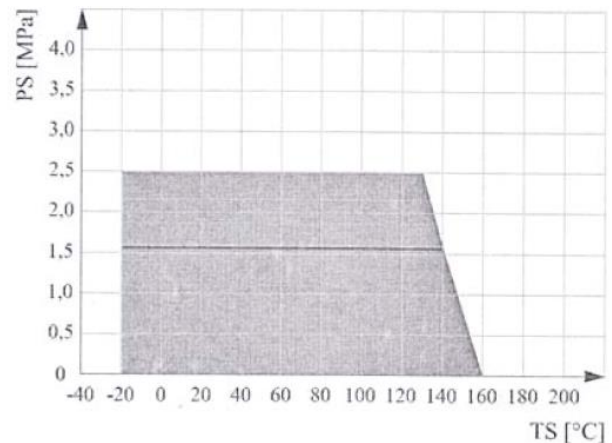
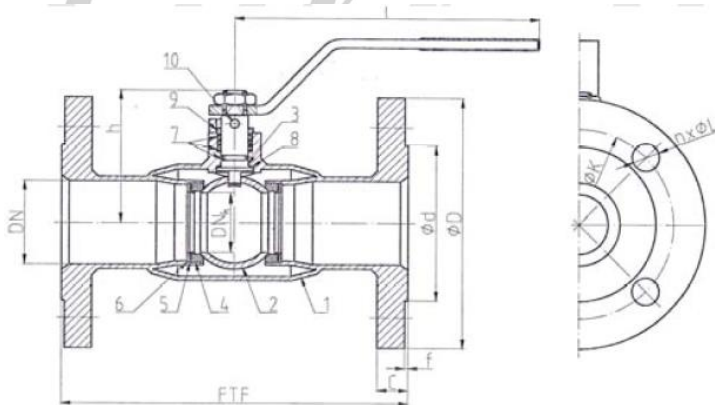
- Fully welded body
- Floating ball
- Stem sealing: gland
- From DN 80 square shaft end
- removable, reversible handle
- powder coated surface protection

Drinking water certificate: BP/PNEF-TKI/00359-2/2019

DN 15 – 150

PN 16 - 25

	Part name	Material quality
1	Body	P355N/S235JR
2	Ball	1.4301
3	Stem	X30Cr13
4	Seat	PTFE + C
5	Support plate	S235JR + Zn
6	Spring	50CrV4
7	O-ring	EPDM
8	Thrust washer	PTFE
9	Pressing ring	S235JR + Zn
10	Nut	PN-EN ISO 2338



DN	PS [bar]	FTF [mm]	D [mm]	d [mm]	C [mm]	f [mm]	K [mm]	n [mm]	L [mm]	h [mm]	I [mm]	S [mm]	Kvs (m ³ /h)	M (Nm)	Weight (Kg)
15	16-25	130	95	45	14	2	65	4	14	48	140	-	6	2,5	1,8
20	16-25	150	105	58	16	2	75	4	14	50	140	-	15	3	2,5
25	16-25	160	115	68	16	2	85	4	14	53	140	-	30	4,5	3
32	16-25	180	140	78	18	2	100	4	18	57	140	-	41	11	4,7
40	16-25	200	150	88	18	3	110	4	18	82	200	11	72	17	5,5
50	16-25	230	165	102	20	3	125	4	18	86	200	11	104	33	7,3
	22				4										
65	16	270	185	122	20	3	145	8	18	100	300	14	160	68	11,3
	25				22										
80	16	280	200	138	20	3	160	8	18	110	300	14	282	126	15,3
	25				24										
100	16	300	220	158	22	3	180	8	18	123	370	17	452	241	21,6
	25		235	162	26		190		22						
125	16	325	250	188	22	3	210	8	18	141	370	17	696	368	32
	25		270		28		220		26						
150	16	350	285	212	24	3	240	8	22	162	370	22	1104	368	32
	25		300	218	30		250		26						



Industrial Valve Trading Ltd.
H-2234 Maglód, Mendei street 2.
Phone/Fax: +36-29-325-133, 326-133
www.mvv.hu info@mvv.hu

AA1-MM3
18111 KIKÉPZÉSI ÉS SZAKKÉPZÉSI KÖZPONT