



CAST IRON GATE VALVE FLAT BODY

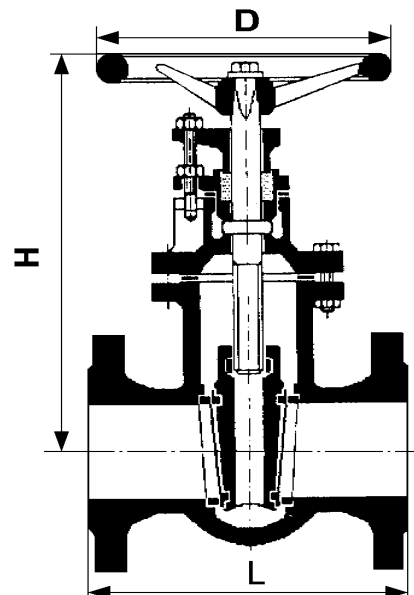
6.10

DN 40 - 600
PN 10 - 16

Application:

For cold and hot water, steam and fluids neutral to the materials of the valve according to the pressure - temperature chart below.

Pressure-Temperature chart	
0°	16 bar
120°	16 bar
160°	12 bar
200°	8 bar



Materials:	
Description	Material quality
Body	GG-25
Bonnet	GG-25
Stem	13%Cr
Trim	- Brass - Stainless steel
Gasket	graphite

DN	40	50	65	80	100	125	150	200	250	300	350	400	500	600
L	140	150	170	180	190	200	210	230	250	270	290	310	350	390
H	239	253	285	307	363	443	450	545	741	835	825	866	1060	1240
D	120	140	160	160	180	200	200	250	406	457	400	400	500	500
kg	15	18	23	29	35	54	69	102	141	208	253	285	342	493
PN	16	16	16	16	16	16	16	10	10	10	4	4	4	2,5

M/V-İSG

Industrial Valve Trading Ltd.
H-2234 Maglód, Mendei street 2.
Phone/Fax: +36-29-325-133, 326-133
www.mvv.hu info@mvv.hu

BM-1118
TEHT KISVÁZKÉPZÉSEK ÉS