



BUTTERFLY VALVE FOR GAS

5.30

Application:

Oil and gas industry, oil products, gas, natural gas, biogas pipelines shut-off valves. And built-in compressed air and sewage systems too.

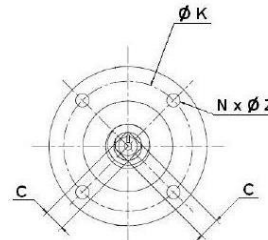
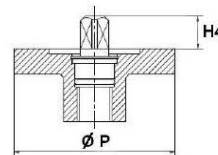
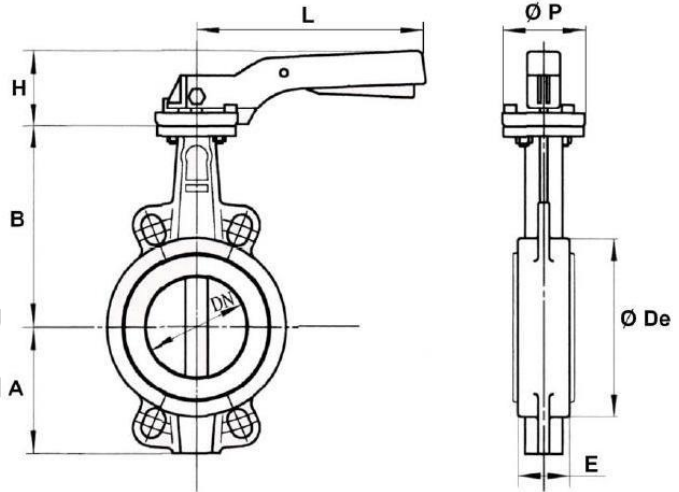
Face to face size: DIN3202

Working temperature: (-20) – 80°C

Method of operation:

- Standard handle
- Gear operator
- Electromechanic actuator
- Pneumatic actuator

DN 40 – 300
PN 10/16



Materials:

| Description | Material quality |
|----------------|-------------------------|
| Body | GGG40 – cast iron |
| Disc | AISI306 stainless steel |
| Seat | NBR |
| Shaft | SS410 – stainless steel |
| Handle | Aluminium |
| Bushing | PTFE +NBR |

| | A | B | E | H | L | ØP | H4 | ØK | NxØZ | C | Weight | Nm |
|---------------|-------|-------|----|-----|-----|-----|----|-----|------|-------|--------|-----|
| DN 40 | 61 | 130 | 33 | 32 | 195 | 65 | 32 | 50 | 4x7 | 9X9 | 1,85 | 12 |
| DN 50 | 77 | 136,5 | 43 | 32 | 195 | 65 | 32 | 50 | 4X7 | 9X9 | 2,53 | 16 |
| DN 65 | 87,5 | 142 | 46 | 32 | 195 | 65 | 32 | 50 | 4X7 | 9X9 | 2,86 | 28 |
| DN 80 | 95 | 158 | 46 | 32 | 195 | 65 | 32 | 50 | 4X7 | 9X9 | 3,16 | 33 |
| DN 100 | 107 | 180 | 52 | 32 | 195 | 65 | 32 | 50 | 4X7 | 11X11 | 4,21 | 53 |
| DN 125 | 121,5 | 192 | 56 | 42 | 278 | 80 | 42 | 70 | 4X8 | 14X14 | 6,67 | 81 |
| DN 150 | 144 | 207 | 56 | 42 | 278 | 90 | 42 | 70 | 4X8 | 14X14 | 7,66 | 119 |
| DN 200 | 171 | 260 | 60 | 50 | 355 | 125 | 36 | 102 | 4X11 | 17X17 | 14,67 | 194 |
| DN 250 | 205 | 280 | 68 | 190 | 223 | 150 | 38 | 125 | 4X13 | 22X22 | 30,90 | 308 |
| DN 300 | 235 | 310 | 78 | 190 | 223 | 150 | 38 | 125 | 4X13 | 27X27 | 43,40 | 595 |

*DN 250-300 gear operator

M/V-IG

Industrial Valve Trading Ltd.
H-2234 Maglód, Mendei street 2.
Phone/Fax: +36-29-325-133, 326-133
www.mvv.hu info@mvv.hu

BM-1118
TÉRT KÉSZÍTÉSÉRE 001