



## LUG BUTTERFLY VALVE

# 5.23

### Application:

Butterfly valves were designed for industrial applications, water distribution systems, sewage water, oil and air to open, close and in interim positions to adjust.

Face to face size: DIN3202

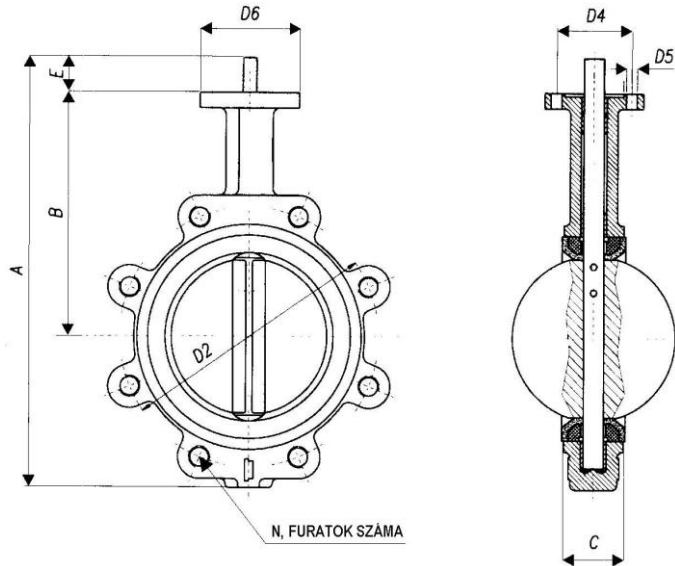
**Working temperature:** (-10) – 120°C

### Method of operation:

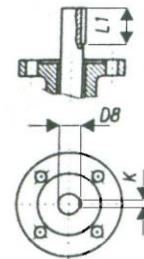
- Standard handle
- Gear operator
- Electromechanic actuator
- Pneumatic actuator

Drinking water certificate: NKK24084-7-2020

**DN 50 – 300**  
**PN 16**



Materials:	
Description	Material quality
<b>Body</b>	GGG50 – cast iron
<b>Disc</b>	AISI 316 stainless steel
<b>Seat</b>	EPDM
<b>Shaft</b>	SS410 – stainless steel
<b>Handle</b>	GG25 – cast iron
<b>Bushing</b>	DN50-300: PTFE



	A	B	C	D4	D5	D2	N	D8	K	E	L1	Weight
<b>DN 50</b>	273	161	43	50	8	125	4	12,6	3	32	15	3,7 kg
<b>DN 65</b>	296	175	46	50	8	145	4	12,6	3	32	15	4,1 kg
<b>DN 80</b>	308	181	46	50	8	160	8	12,6	3	32	15	4,7 kg
<b>DN 100</b>	346	200	52	70	10	180	8	15,77	5	32	20	9,0 kg
<b>DN 125</b>	372	213	56	70	10	210	8	18,92	5	32	20	10,9 kg
<b>DN 150</b>	396	226	56	70	10	240	8	18,92	5	32	20	14,2 kg
<b>DN 200</b>	480	260	60	102	12	295	12	22,1	5	40	20	18,2 kg
<b>DN 250</b>	540	292	68	102	12	355	12	28,45	8	40	25	26,8 kg
<b>DN 300</b>	624	337	78	102	12	410	12	31,6	8	40	25	39,5 kg

**Industrial Valve Trading Ltd.**  
H-2234 Maglód, Mendei street 2.  
Phone/Fax: +36-29-325-133, 326-133  
[www.mvv.hu](http://www.mvv.hu) [info@mvv.hu](mailto:info@mvv.hu)

BM-1118  
TEJTEK KFT. KÖZLEKEDÉSI ÉS  
VÁLLALKOZÁSI