



DISC® BUTTERFLY VALVE

5.10

DN 50 - 500
PN 25

Application:

The butterfly valve can be applied to open, close and in inter-im position to regulate the flowing materials in pipeline systems.

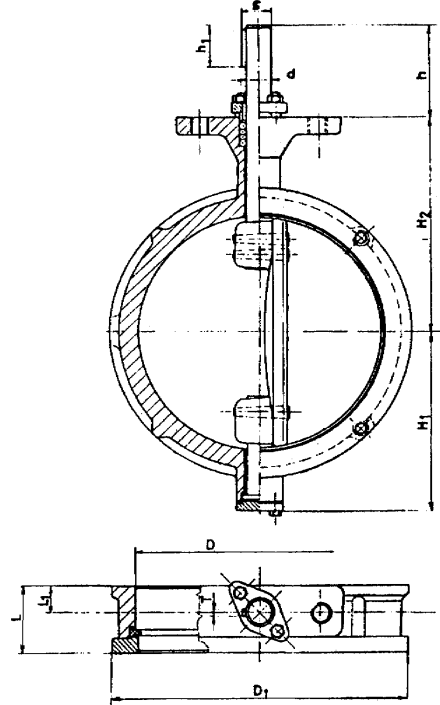
Main field of application: water treatment, heating and cleaning systems, oil and sewage delivering systems, steam, air, gas depending on the material of the seat.

Operational methods:

- handle DN 50-150
- gear operator DN 50-500
- electromechanic actuator DN 50-500
- pneumatic actuator DN 50-500
- shaft extension DN 50-500

Materials:

Body: Carbon steel, Aö 21 C MSZ 1749
1 C 25 MSZ EN 10083-2
Disc: Carbon steel, Aö 21 C MSZ EN 10083-2, closing surface from 19%Cr, 12%Ni, 2,5%Mo quality formed by overlay welding
Seat ring: EPDM (E)
VITON (V)
Shaft: Stainless steel
Packing: CHETRATHERM clean graphite gasket rings
Bearing: PTFE filled bronze filter



DN	D	D ₁	L	L ₁	H ₁	H ₂	h	h ₁	d	s	T	Δp	K _{v100}	kg/pc
50	54	105	51	21	73,0	97,5	80	34	15	16,8	4	25	220	3,3
65	64	125	51	21	78,0	102,5	80	34	15	16,8	4	25	380	3,8
80	75	140	51	21	83,5	108,0	80	34	15	16,8	4	25	553	4,2
100	93	160	58	22	100,0	131,0	80	38	20	22,0	5	25	576	6,0
125	117	190	65	22	113,0	144,0	80	38	20	22,0	5	25	1000	8,5
150	142	215	71	25	135,0	170,0	110	49	25	27,5	6	25	1320	14,0
200	193	270	75	26	158,0	195,0	110	49	25	27,5	6	20	2680	19,0
250	240	325	81	28	192,0	238,0	140	56	30	33,0	8	16	4220	31,0
300	290	375	87	32	271,0	280,0	140	66	35	38,0	10	16	6250	45,0
350	341	435	94	32	296,0	305,0	140	66	35	38,0	10	10	8700	56,0
400	386	485	106	42	322,0	340,0	165	85	45	48,5	14	10	11400	82,0
500	486	590	130	54	400,0	410,0	165	99	55	58,5	14	10	17800	145,0

DN	Body	Δp	Operating Temperature	
			VITON (V)	EPDM (E)
50 - 150	Steel	25	(-25) - (+150)	(-20) - (+130)
200	Steel	20	(-25) - (+150)	(-20) - (+130)
250 - 300	Steel	16	(-25) - (+150)	(-20) - (+130)
350 - 500	Steel	10	(-25) - (+150)	(-20) - (+130)

Operating torque at 0 and max load (Nm)												
DN	50	65	80	100	125	150	200	250	300	350	400	500
Δp ₀	25	30	35	40	50	70	110	170	250	330	420	680
Δp _{max}	40	40	50	60	80	140	180	280	450	500	700	1300



Industrial Valve Trading Ltd.

H-2234 Maglód, Mendei street 2.

Phone/Fax: +36-29-325-133, 326-133

www.mvv.hu info@mvv.hu

Industrial Valve Trading Ltd.
H-2234 Maglód, Mendei street 2.