



CAST STEEL GLOBE VALVE WITH ADJUSTING CONICAL DISC, FLANGED

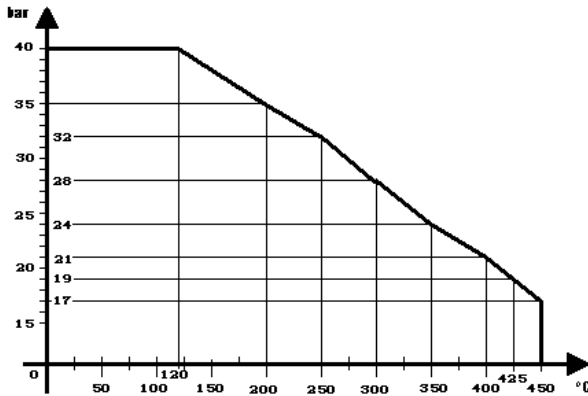
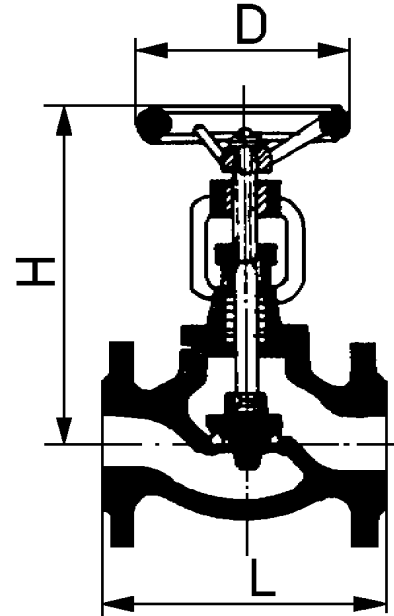
1.22

Application:

For hot and cold water, steam and fluids neutral to the materials of the valve, according to the pressure-temperature diagram as follows:

Working temperature: -25°C +450°C

DN 15 - 200
PN 40



Materials:	
Description	Material quality
Body up to DN 25	C 22
Body from DN 32	GS-C 25
Bonnet up to DN 25	C 22
Bonnet from DN 32	GS-C 25
Seat	Acid resistant
Stem	Stainless steel
Gaskets	Asbestos free

DN	15	20	25	32	40	50	65	80	100	125	150	200
L	130	150	160	180	200	230	290	310	350	400	480	600
H	open	190	195	204	228	257	270	323	365	410	465	610
	closed	200	205	217	245	277	295	356	405	459	520	675
D	100	100	100	140	160	180	250	250	320	400	400	450
Weight (kg)	5	5,5	7	14	18	20	31	41	62	80	125	220

M/V-IG

Industrial Valve Trading Ltd.
H-2234 Maglód, Mendei street 2.
Phone/Fax: +36-29-325-133, 326-133
www.mvv.hu info@mvv.hu

BM11 KIKÉRDŐVÁLASZTÓ
001