



CAST IRON GLOBE VALVE WITH ADJUSTING CONICAL DISC, FLANGED

1.11

DN 15 - 150
PN 16

Application:

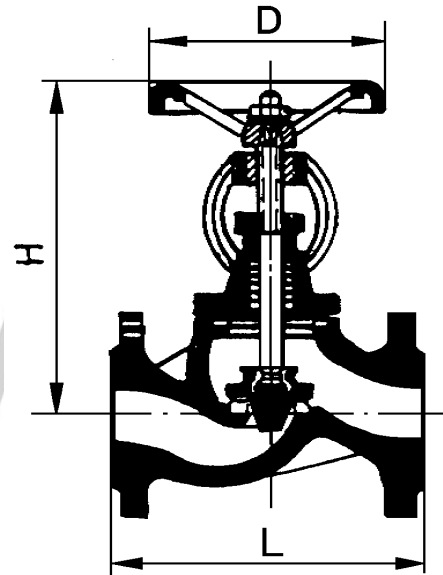
Cold and hot water, steam and mediums neutral to the materials of the valve according to the pressure – temperature chart below.

Working temperature: -10°C – 300°C

Connection flange: DIN 2501

Face to face: DIN 3202 F1

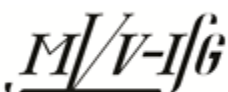
Hydrostatic test: DIN 3230/3



Pressure – Temperature chart	
Temperature (°C)	Max. working pressure (bar)
120	16
200	13
250	11
300	10

Materials:	
Description	Material quality
Body	GG-25
Bonnet	GG-25
Seat	13% Cr
Stem	13% Cr
Sealing	Asbestos free
Handwheel	GG-25

DN	15	20	25	32	40	50	65	80	100	125	150
L	130	150	160	180	200	230	290	310	350	400	480
H	open	173	182	185	207	226	255	272	305	360	470
	closed	183	192	200	227	250	285	312	355	430	528
D	100	100	100	120	140	160	160	180	200	250	320
Weight (kg)	4	5,5	6	7,5	12	14	20	26	35	56	77



Industrial Valve Trading Ltd.
H-2234 Maglód, Mendei street 2.
Phone/Fax: +36-29-325-133, 326-133
www.mvv.hu info@mvv.hu

AA1-MM3
1811 KICMVAKCHVAPBPN 001