



## CAST IRON GLOBE VALVE, FLANGED

1.10

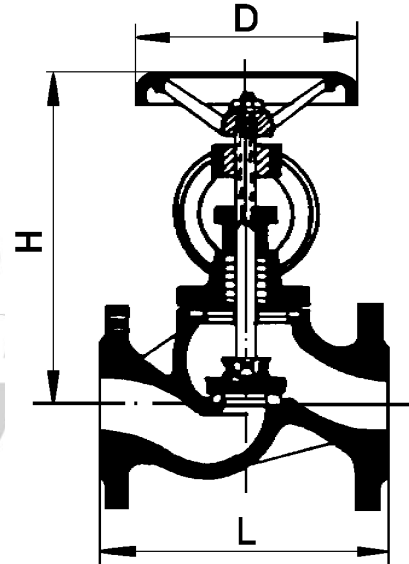
DN 15 - 200  
PN 16

### Application:

Cold and hot water, steam and mediums neutral to the materials of the valve according to the pressure – temperature chart below.

Working temperature: 0°C – 200°C

Connection flange: DIN 2501  
Face to face: DIN 3202 F1  
Hydrostatic test: DIN 3230/3



### Pressure – Temperature chart

Temperature (°C)	Max. working pressure (bar)
120	16
165	13
190	11
200	10

### Materials:

Description	Material quality
Body	GG-25
Bonnet	GG-25
Seat	13% Cr
Stem	13% Cr
Sealing	Graphite
Handwheel	GG-25

DN	15	20	25	32	40	50	65	80	100	125	150	200
<b>L</b>	130	150	160	180	200	230	290	310	350	400	480	600
<b>H</b>	open	173	182	185	207	226	255	272	305	360	390	500
	closed	183	192	200	227	250	285	312	355	430	445	528
<b>D</b>	100	100	100	120	140	160	160	180	200	250	320	400
<b>Weight (kg)</b>	3,8	5	5,8	7,5	12	14	20	26	35	56	77	150

*M/V-IG*

### Industrial Valve Trading Ltd.

H-2234 Maglód, Mendei street 2.  
Phone/Fax: +36-29-325-133, 326-133  
www.mvv.hu info@mvv.hu

AA1-MM8  
700 0N19A1A1C0D1MA3H1I 11111